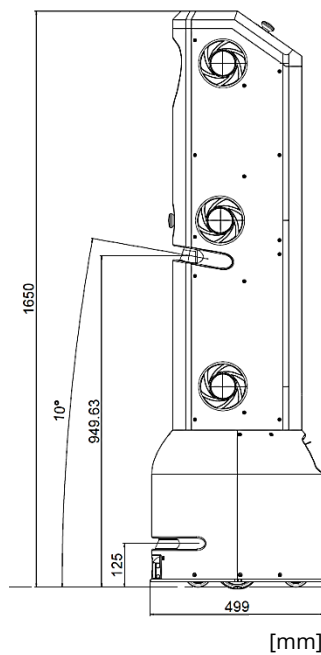
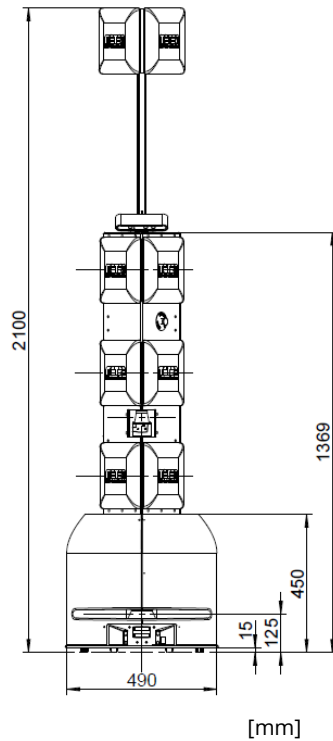


TORY[®]

Efficient automated inventory



TECHNICAL SPECIFICATIONS

ROBOT	TORY RFID	TORY shelf
Weight	50 Kg	50 Kg
Dimensions (LxWxH) [mm]	500x2100	500x1700
max. speed	Up to 1 m/s	Up to 1 m/s
max. operating time per battery charge	Up to 22 hour	Up to 14 hour
Protection class	IP20	IP20
Temperature during operation [°C]	+5 to +40 (42 °F to 204 °F)	+10 to +35 (42 °F to 204 °F)
Temperature during transport	-25 to +55	-25 to +55
Humidity	20 % - 60 % rH	20 % - 60 % rH
Minimum passage width [cm]	80	80
Ground clearance	20°	20°
Ground clearance [mm]	15	15
AKKU		
Typ	LFMP	LFMP
Nominal capacity [Ah]	40	40
Operating voltage [V]	26	26
Lifetime	≥ 1500 discharge cycles (80% DOD)	≥ 1500 discharge cycles (80% DOD)
Rate of self-discharge [%]	≤ 3	≤ 3
Charging time (20% to 100 %)	3 hour	3 hour
Power supply		
Typ	MetraLabs autonomous charging station (ACS)	MetraLabs autonomous charging station (ACS)

TORY®

Efficient automated inventory



[RFID]



[shelf]

Input power [W]	max. 1200	max. 1200
DRIVE		
Typ	Brushless DC electric motors (BLDC)	Brushless DC electric motors (BLDC)
System	ISO 13849-1, Performance level d	ISO 13849-1, Performance level d
Software	CogniDrive® [MetraLabs]	CogniDrive® [MetraLabs]
RFID technology		
Efficiency	> 99 % (up to 1000 tags/ s)	-
System	16 antennas	-
RFID supported	Worldwide	-
IMAGE ANALYSIS		
Cameras	-	7 x Canon
Pixel effektiv	-	26,2 MP
Shelf height [mm]	-	2200 (typical)
Scan area [mm]	-	2200 x 1500 (H x W)
SAFETY		
Safety laser scanner (horizontal)	Yes	Yes
3D-cameras	Yes	Yes
Acoustic warning system	optional	optional
Bumper	Yes	Yes
CE/TÜV	Yes	Yes