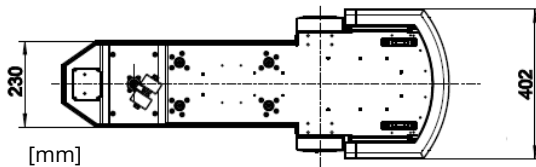
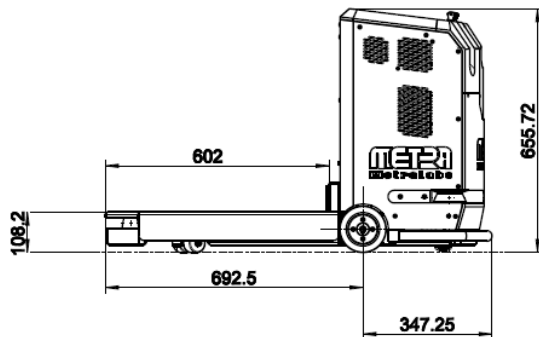


CARY®

Autonomous Guided Vehicle (AGV)



TECHNICAL SPECIFICATIONS

| ROBOT | CARY pro | CARY summit |
|--|---|---|
| Weight | 76 Kg | 83 Kg |
| Dimensions (LxWxH) [mm] | 1040x402x656 | 1040x402x656 |
| max. speed | 0,6m/s | 0,7m/s |
| max. operating time per battery charge | Up to 10 hour | Up to 10 hour |
| Protection class | IP20 | IP20 |
| Temperature during operation [°C] | +10 to +40 | +10 to +40 |
| Temperature during transport | -25 to +55 | -25 to +55 |
| Humidity | 20 % - 60 % rH | 20 % - 60 % rH |
| Minimum passage width [cm] | 80 | 80 |
| Ground slope | 5 % | 5 % |
| Ground clearance [mm] | 17 | 17 |
| AKKU | | |
| Typ | LFMP | LFMP |
| Nominal capacity [Ah] | 40 | 60 |
| Operating voltage [V] | 26 | 26 |
| Lifetime | ≥ 1500 discharge cycles (80% DOD) | ≥ 1500 discharge cycles (80% DOD) |
| Rate of self-discharge [%] | ≤ 3 | ≤ 3 |
| Charging time (20% to 99 %) | 2 hour | 3 hour |
| Power supply | | |
| Typ | MetraLabs autonomous charging station (ACS) | MetraLabs autonomous charging station (ACS) |

CARY®

Autonomous Guided Vehicle (AGV)

| | | |
|-----------------------------------|-------------------------------------|-------------------------------------|
| Input power [W] | max. 1200 | max. 1200 |
| DRIVE | | |
| Typ | Brushless DC electric motors (BLDC) | Brushless DC electric motors (BLDC) |
| Torque [Nm] | typ.: 19,4 max.: 81 | typ.: 19,4 max.: 81 |
| FORK | | |
| Minimum height [mm] | 110 | 110 |
| Lifting height [mm] | 36 | 36 |
| max. payload [kg] | 50 | 150 |
| Width [mm] | 230 | 230 |
| SAFETY | | |
| Safety laser scanner (vertical) | No | Yes |
| Safety laser scanner (horizontal) | Yes | Yes |
| Warning light, blinker | Yes | Yes |
| Blue Spot | Yes | Yes |
| Acoustic warning system | Yes | Yes |
| Bumper front | Yes | Yes |
| DOLLY DETECTION | | |
| Proximity switch | Yes | Yes |
| Camera | Yes | Yes |
| Switch contacts | Yes | Yes |



[09/2021 | Information provided without guarantee]